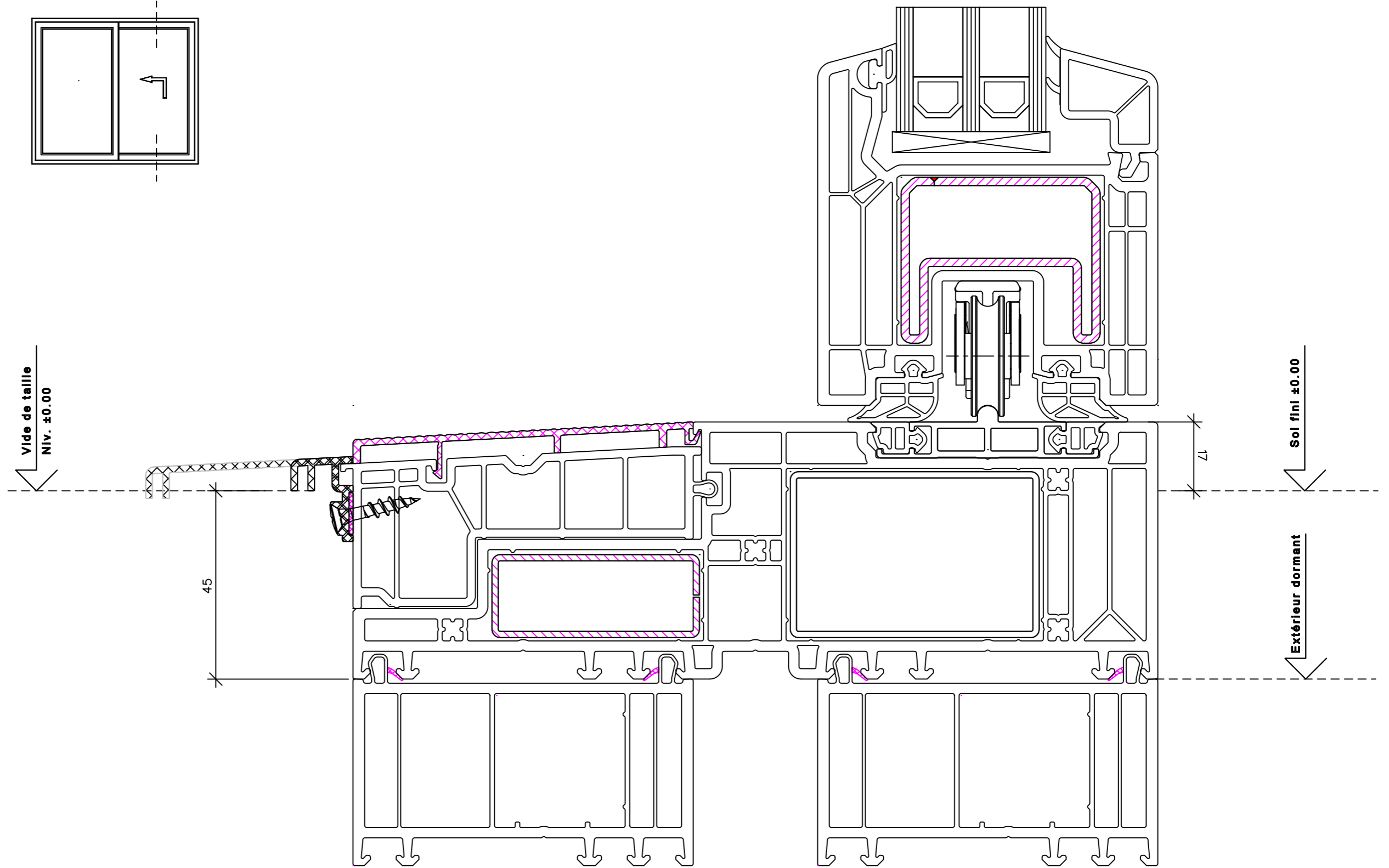
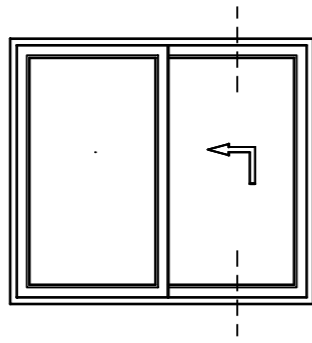




SCHEMA A



VekaMotion Max

Seuil Exotherm 105.422
Vantail 105.421

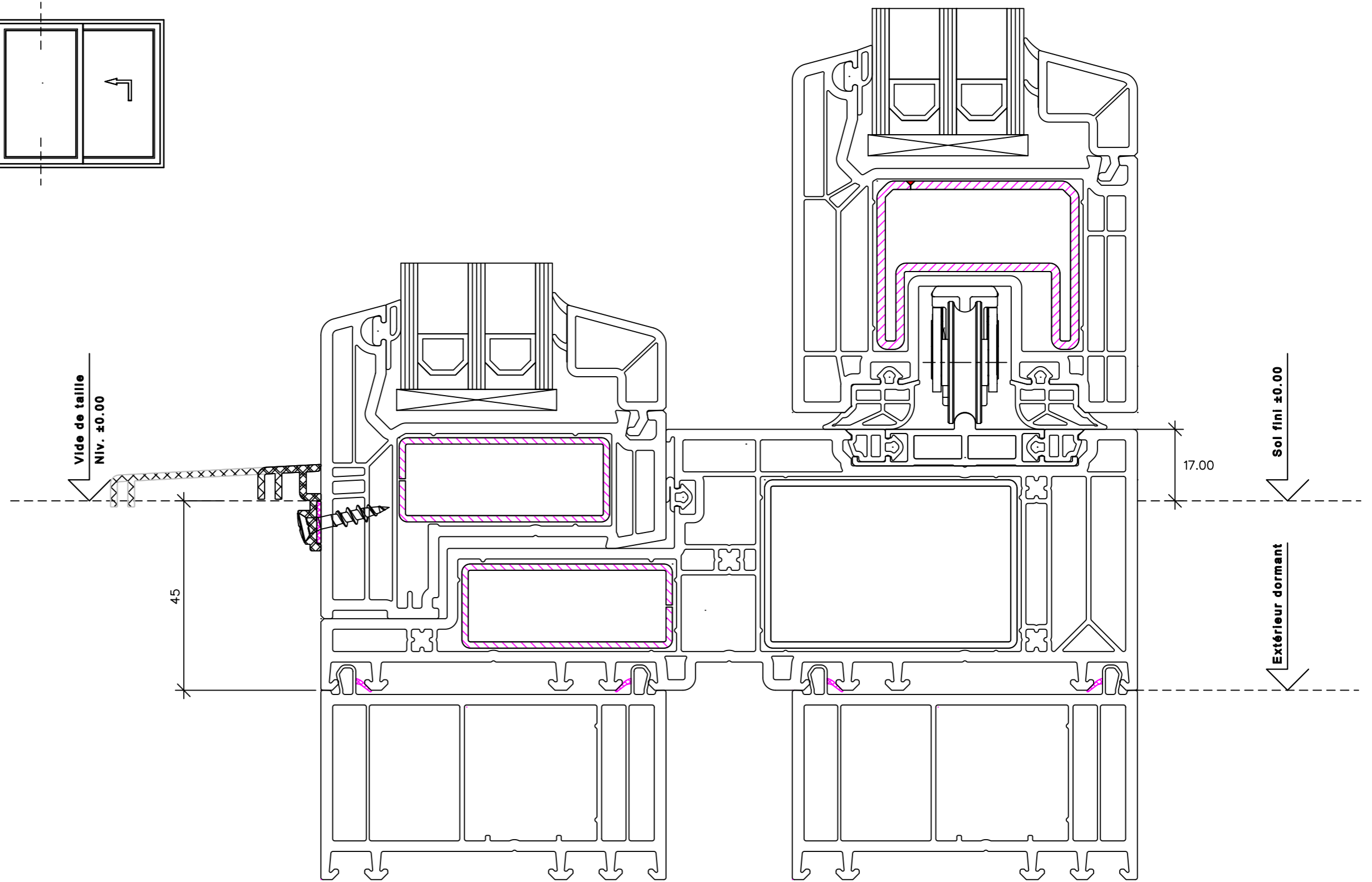
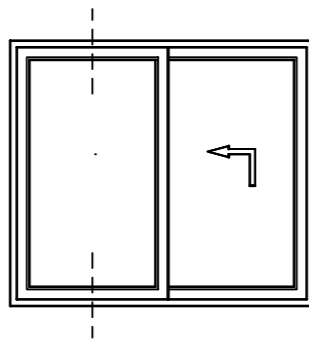
Echelle
1:1

23.08.2022

MotionMax
8100b HS



SCHEMA A



VekaMotion Max

Seuil Exotherm 105.422
Vantail 105.421

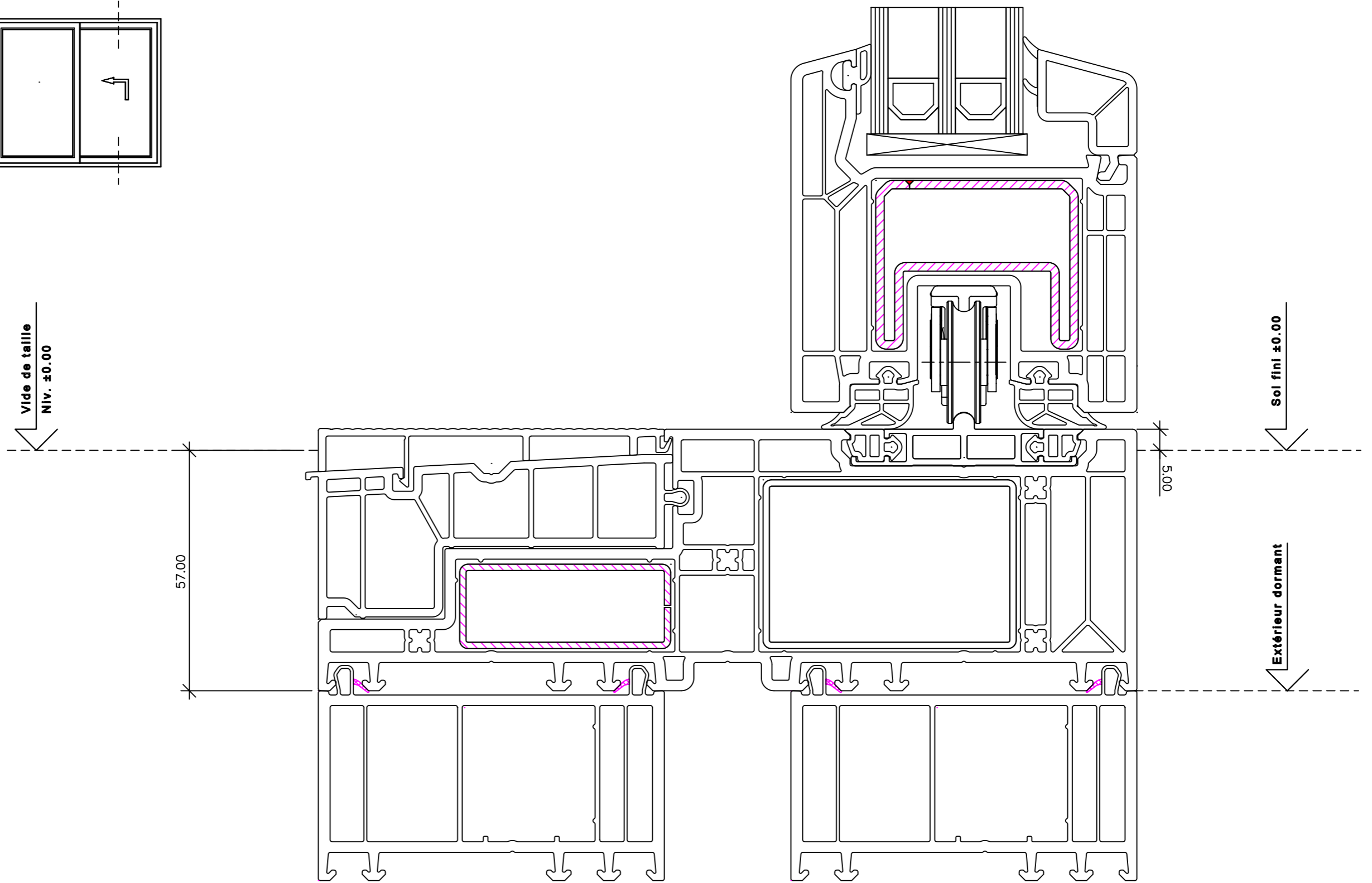
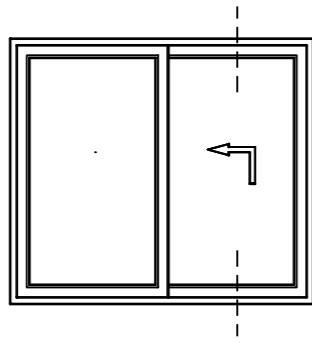
Echelle
1:1

24.08.2022

Motion Max
8100b2 HS



SCHEMA A



VekaMotion Max

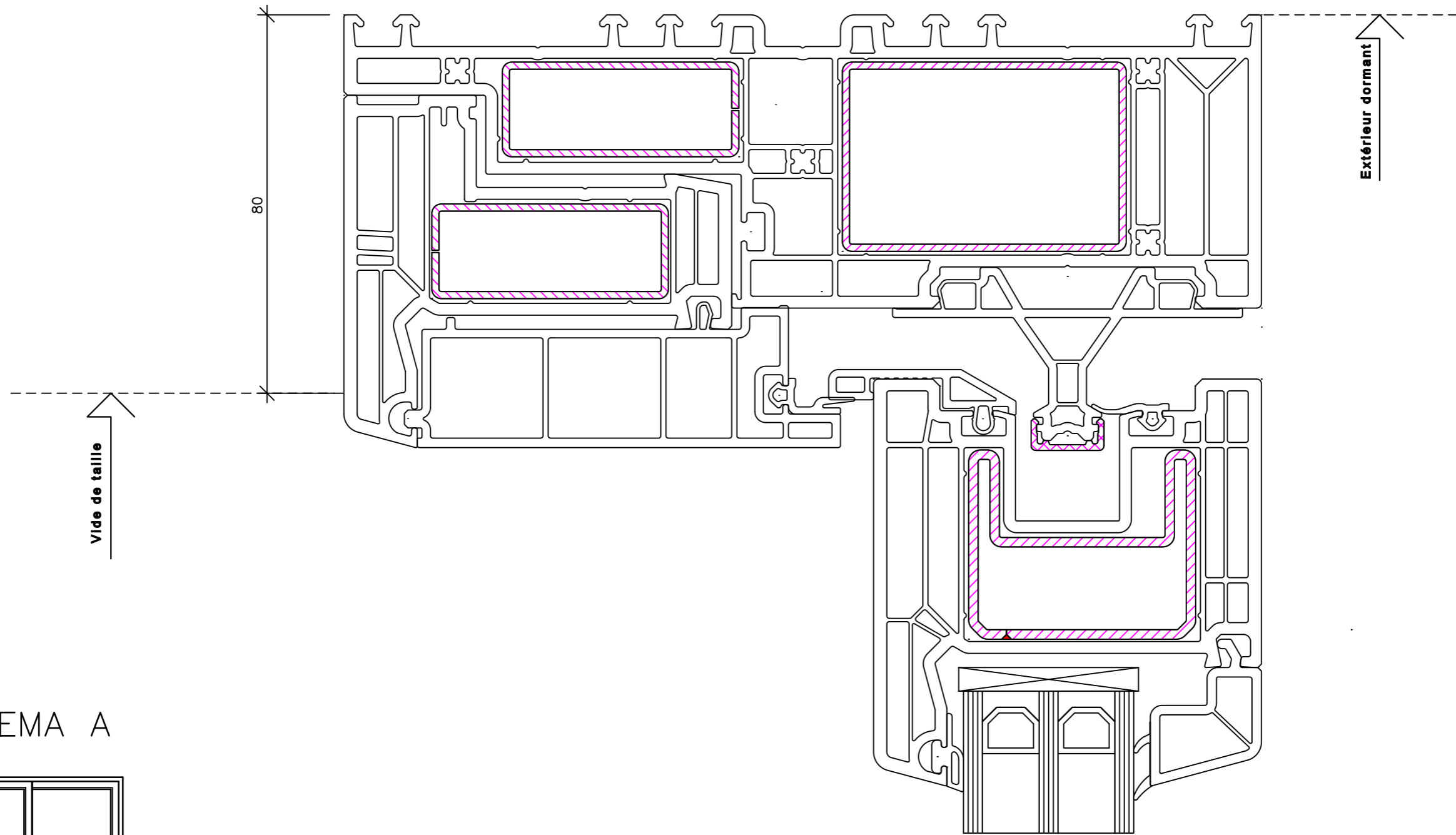
Seuil Exotherm 105.422

Vantail 105.421

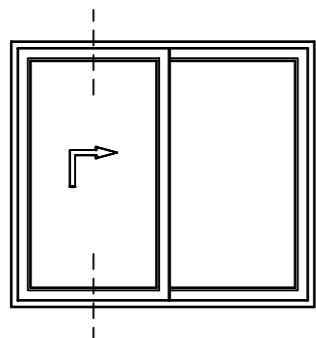
Echelle
1:1

24.08.2022

Motion Max
8101b HS



SCHEMA A



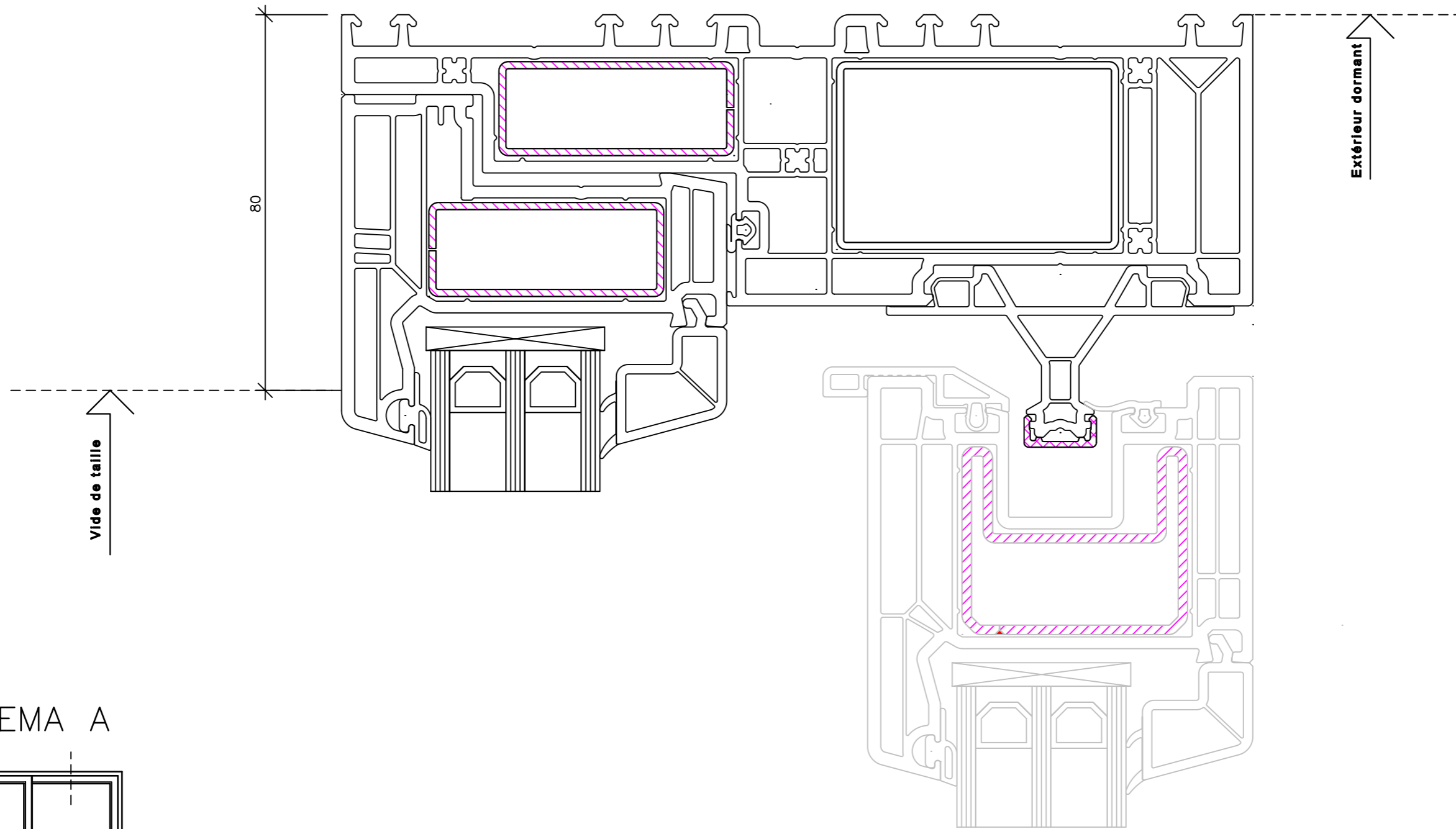
VekaMotion - Max

Dormant	105.420
Vantail	105.421

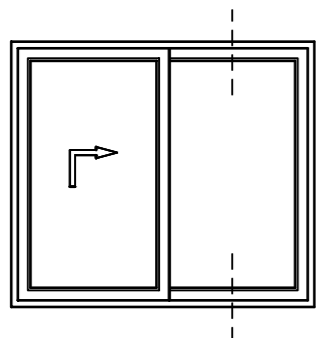
Echelle
1:1

24.08.2022

MotionMax
8110 HS



SCHEMA A



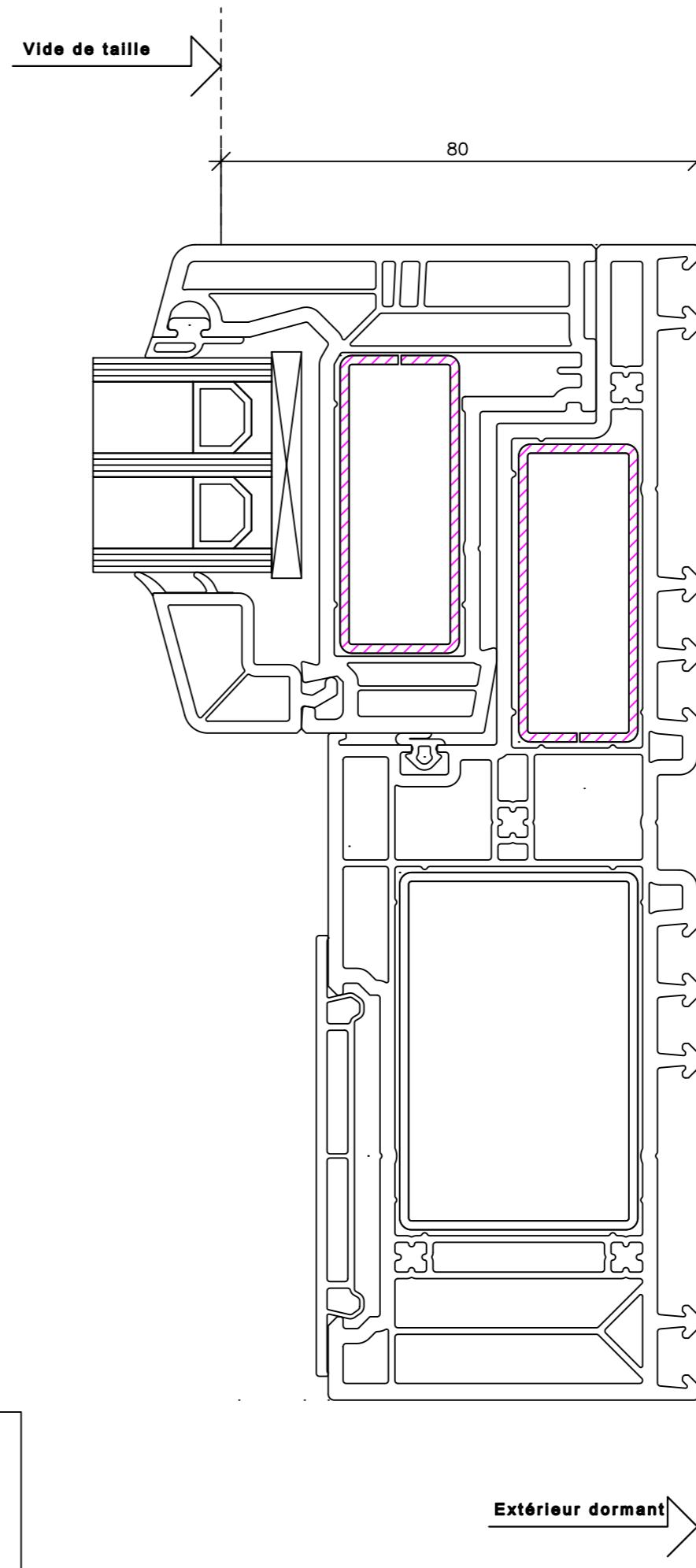
VekaMotion - Max

Dormant 105.420
Vantail 105.421

Echelle
1:1

24.08.2022

MotionMax
8111 HS



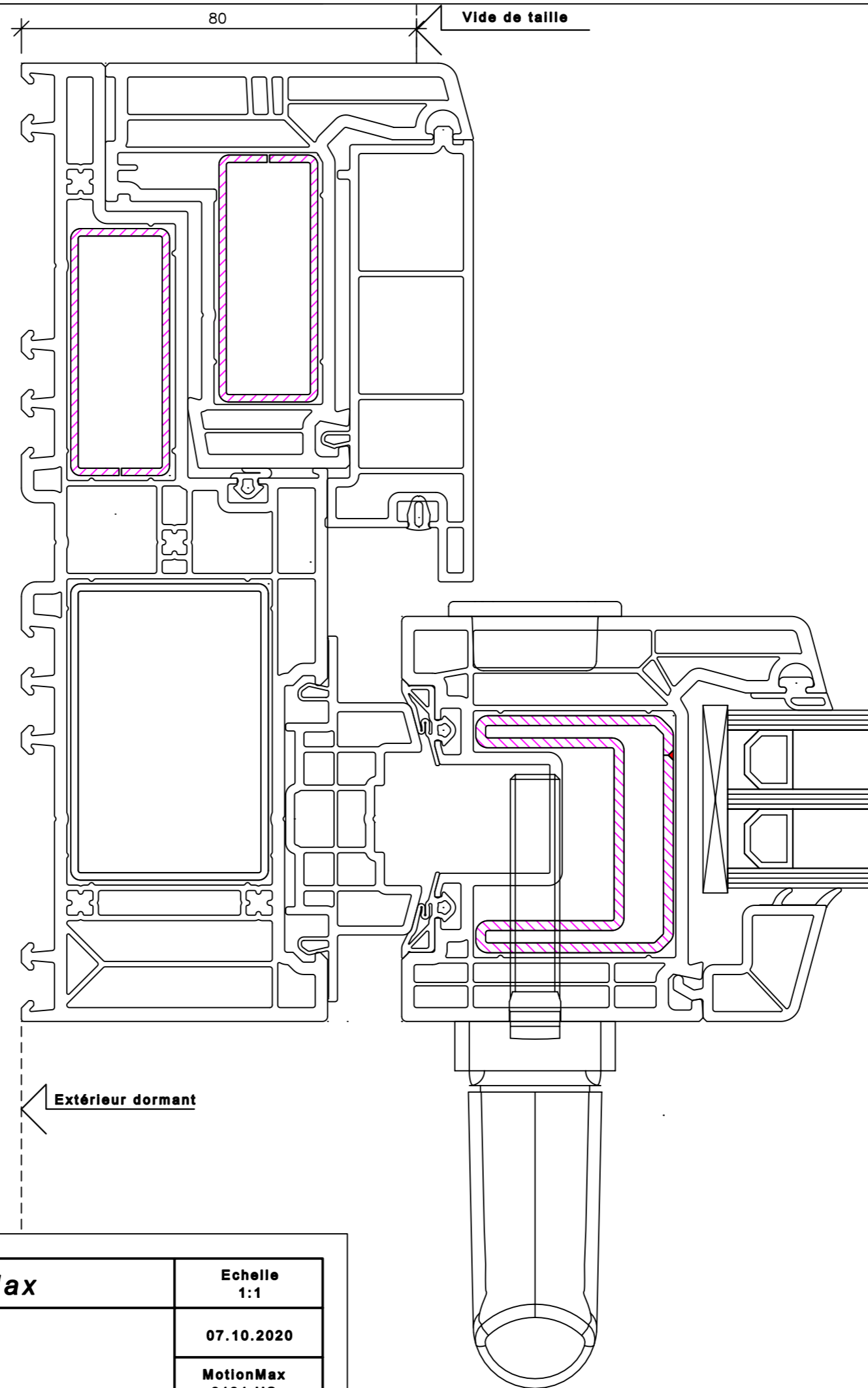
VekaMotion - Max

Dormant	105.420
Vantail	105.421

Echelle
1:1

24.08.2022

MotionMax
8120 HS



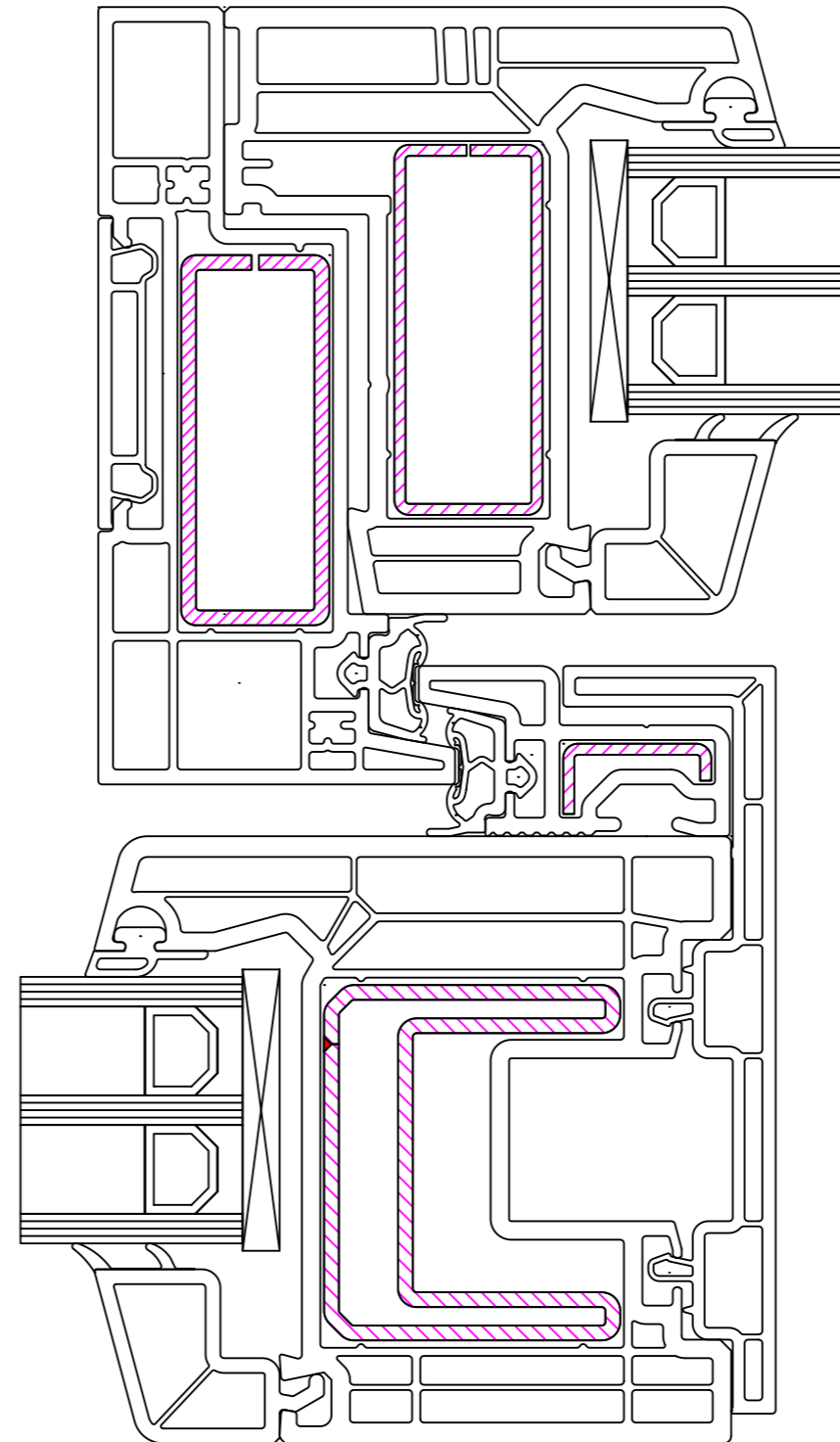
VekaMotion - Max

Dormant	105.420
Vantail	105.421

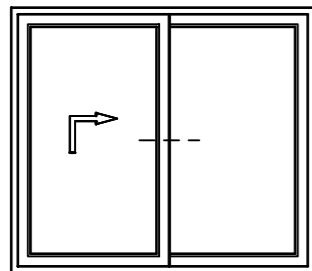
Echelle
1:1

07.10.2020

MotionMax
8121 HS



SCHEMA A



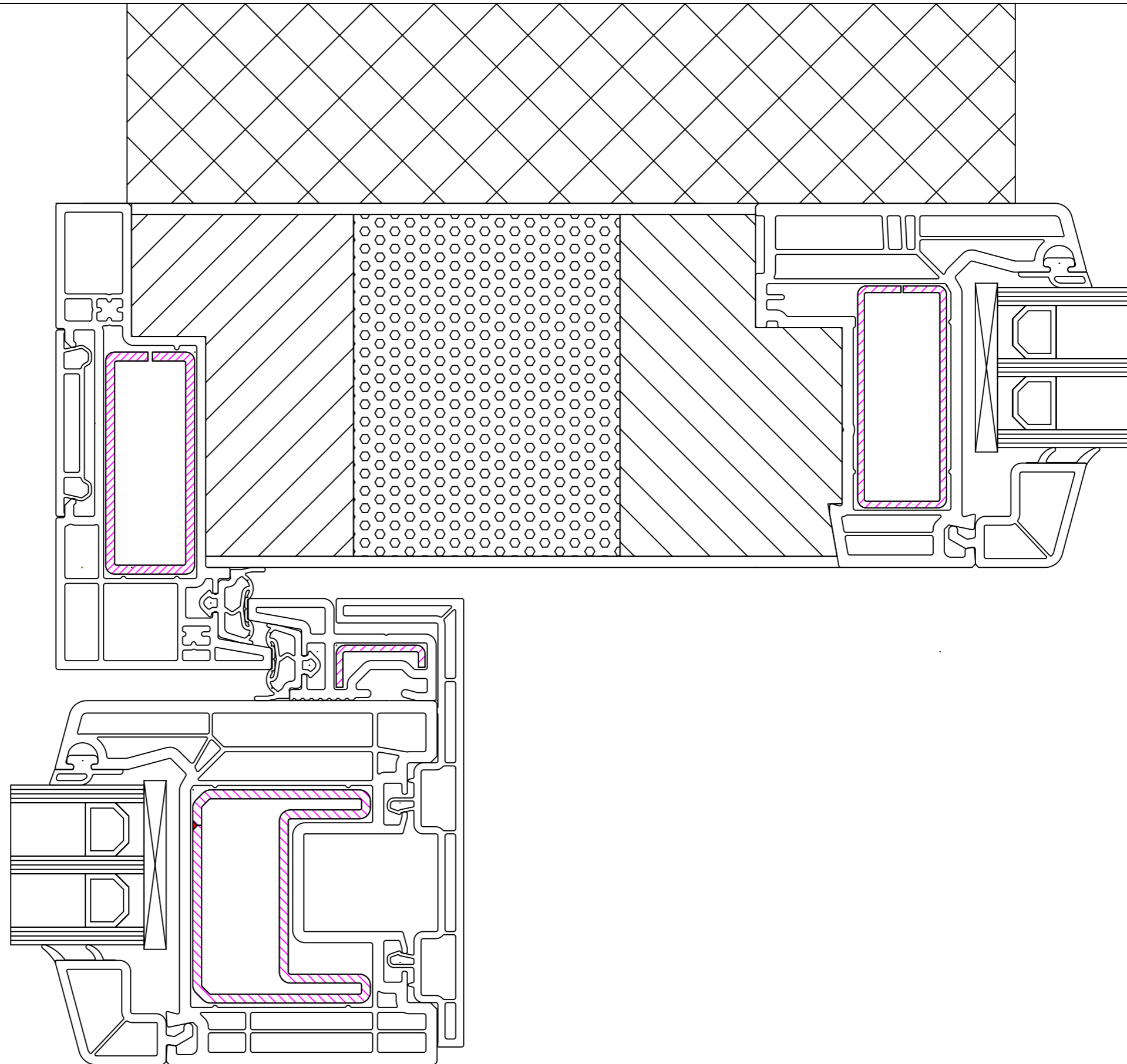
VekaMotion - Max

Dormant	105.420
Vantail	105.421

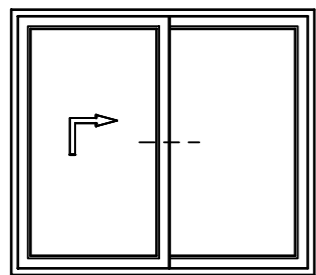
Echelle
1:1

24.08.2022

MotionMax
8130 HS



SCHEMA A



VekaMotion - HS-Portal

Dormant	105.420
Vantail	105.421

Echelle 1:1
24.08.2022
Motion Max 8130 HSPoteau