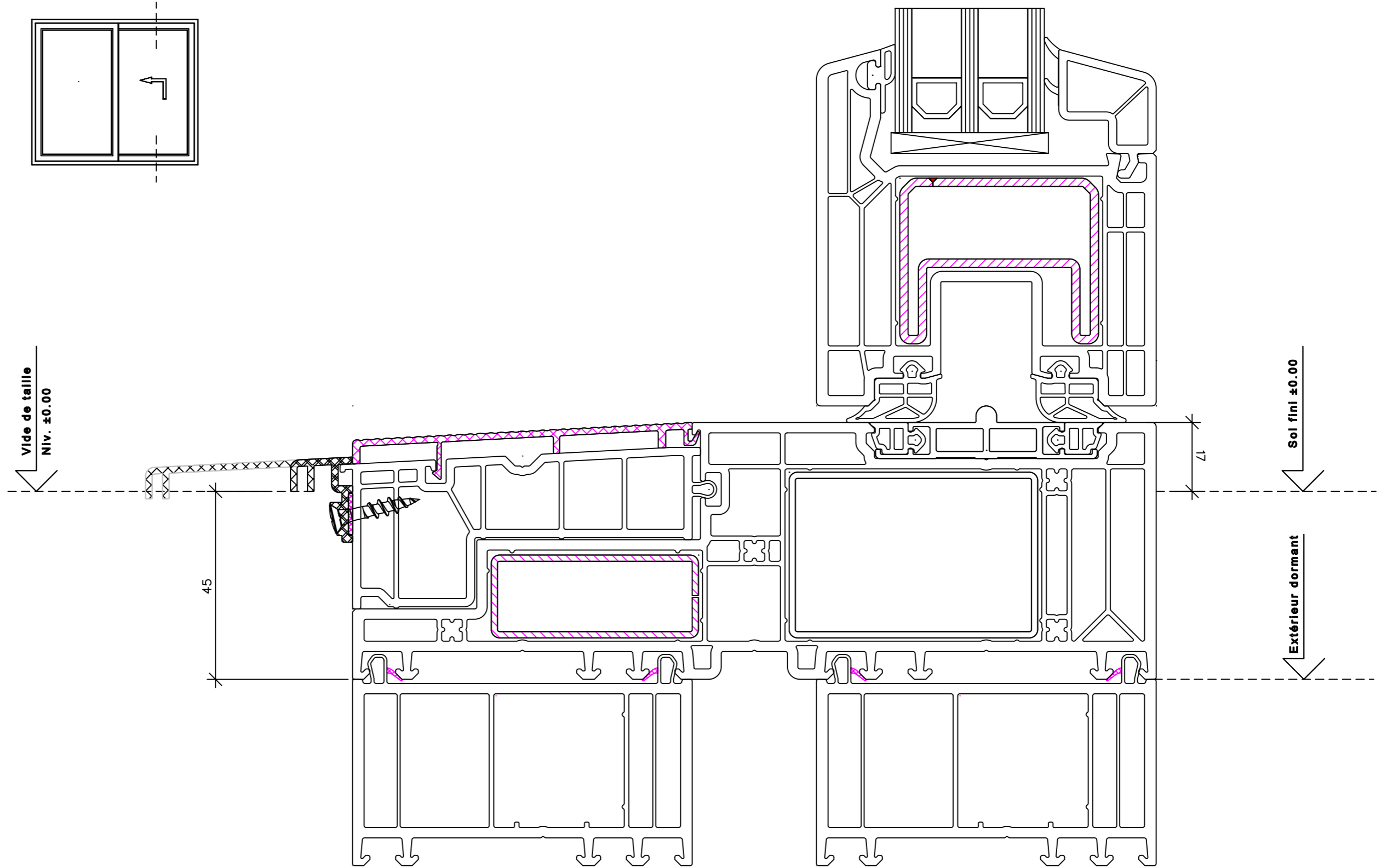
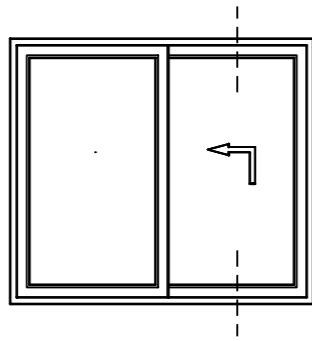




SCHEMA A



VekaMotion - HS-Portal

Seuil Exotherm 105.422
Vantail 105.421

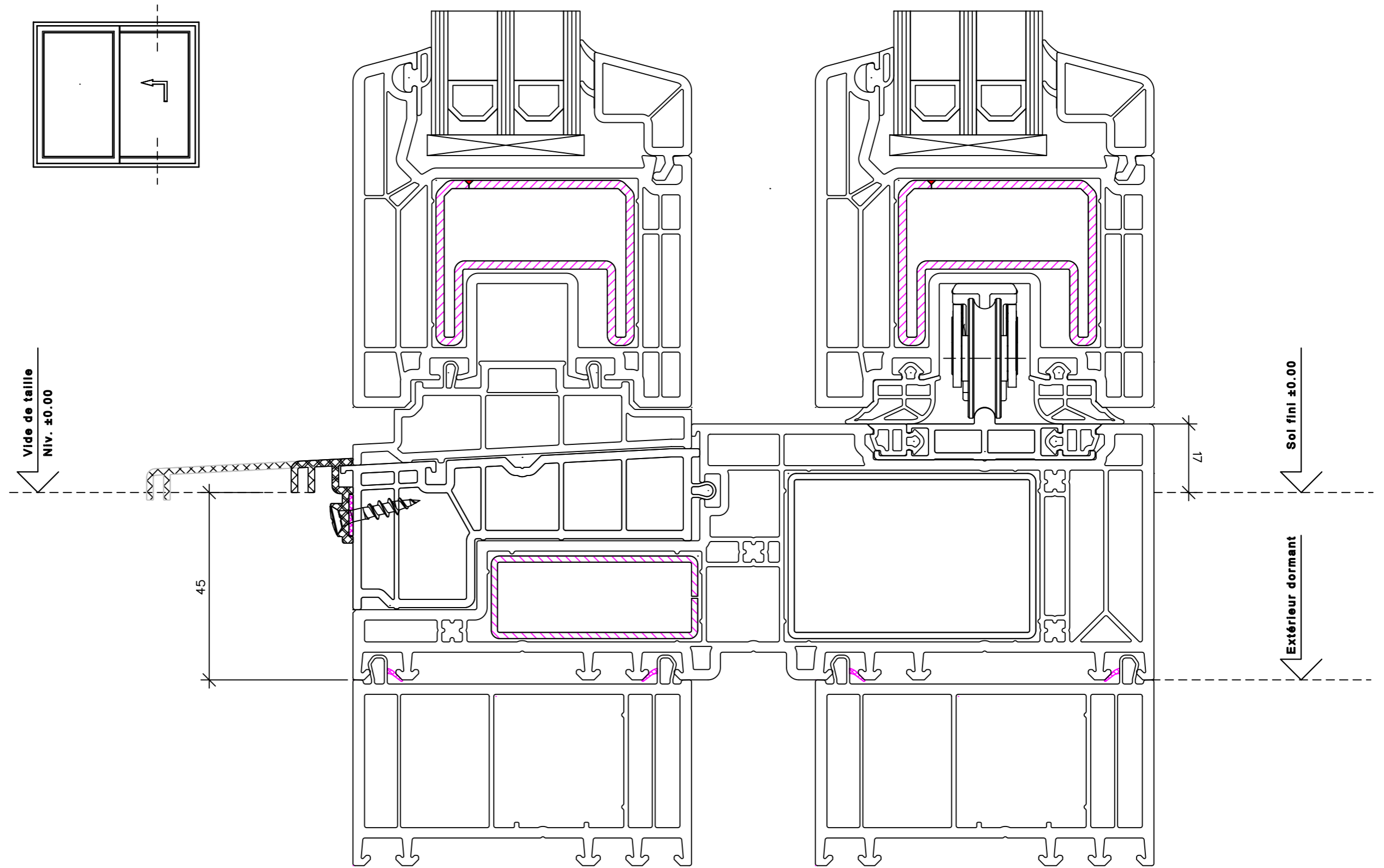
Echelle
1:1

23.08.2022

Motlon-8100b HS



SCHEMA A



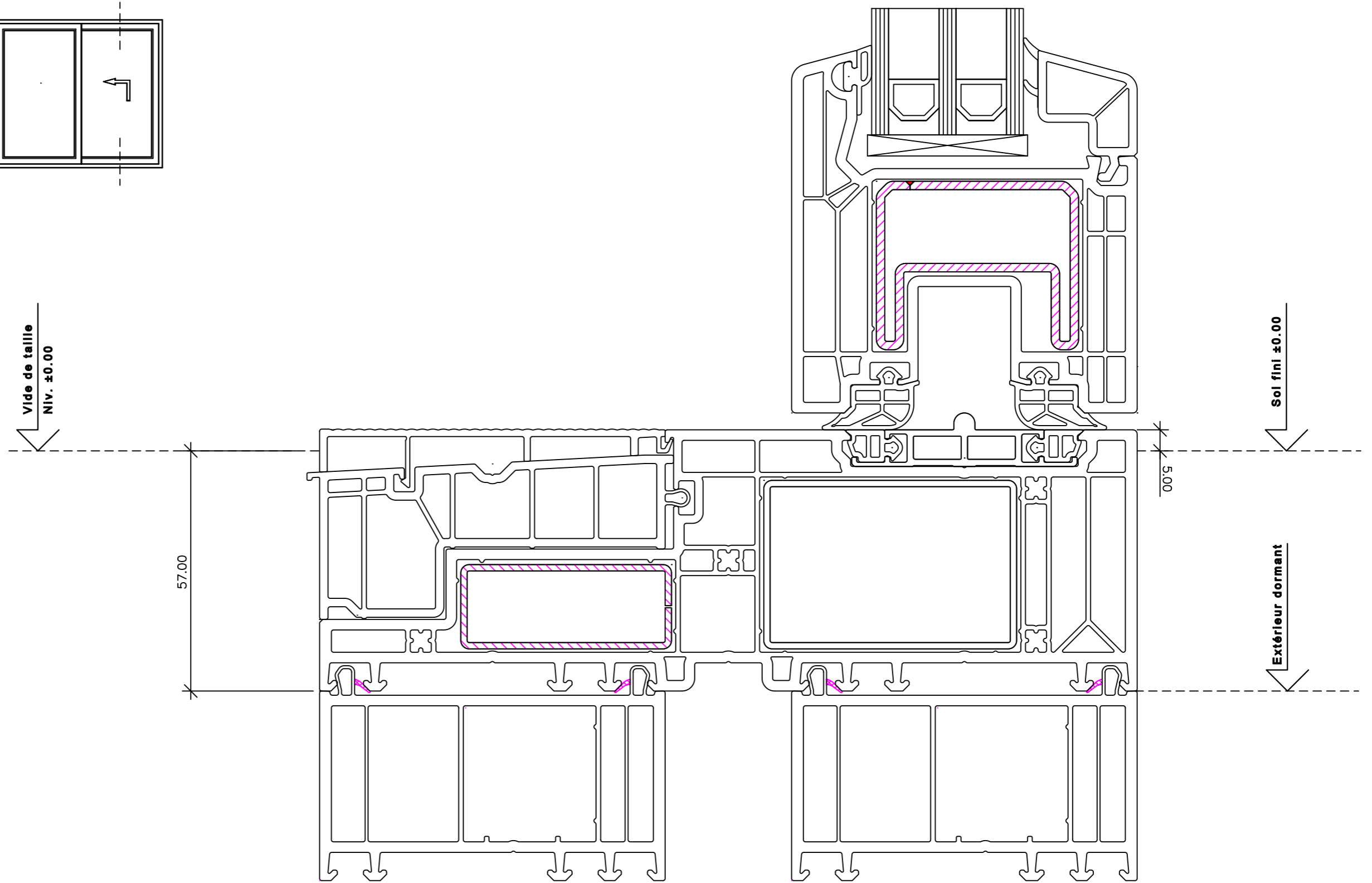
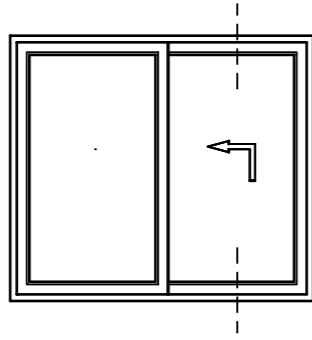
VekaMotion - HS-Portal

Seuil Exotherm 105.422
Vantail 105.421

Echelle
1:1
23.08.2022
Motion-8100b2 HS



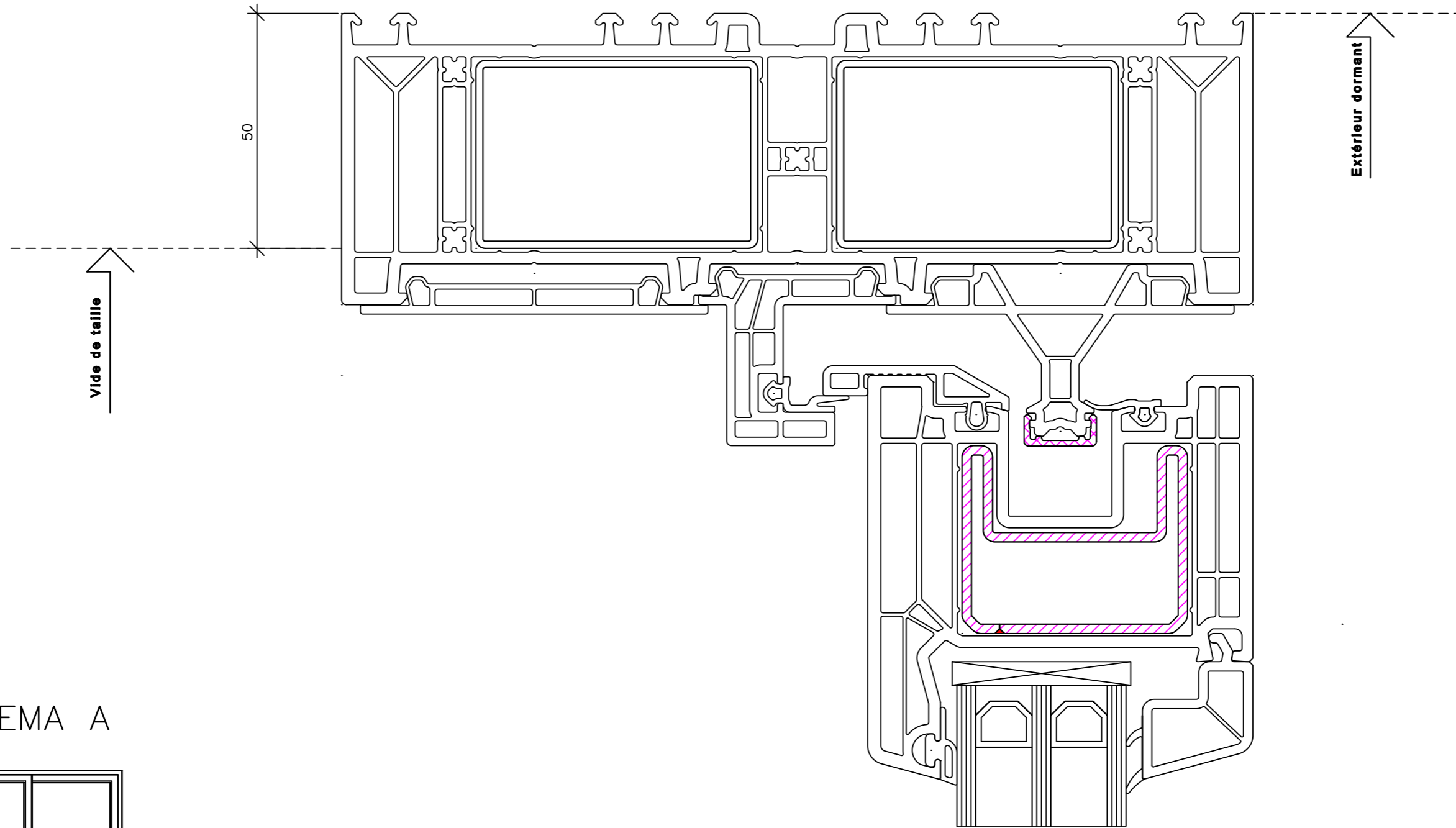
SCHEMA A



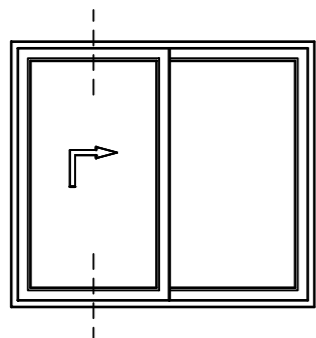
VekaMotion - HS-Portal

Seuil Exotherm 105.422
Vantail 105.421

Echelle
1:1
23.08.2022
Motlon-8101b HS



SCHEMA A



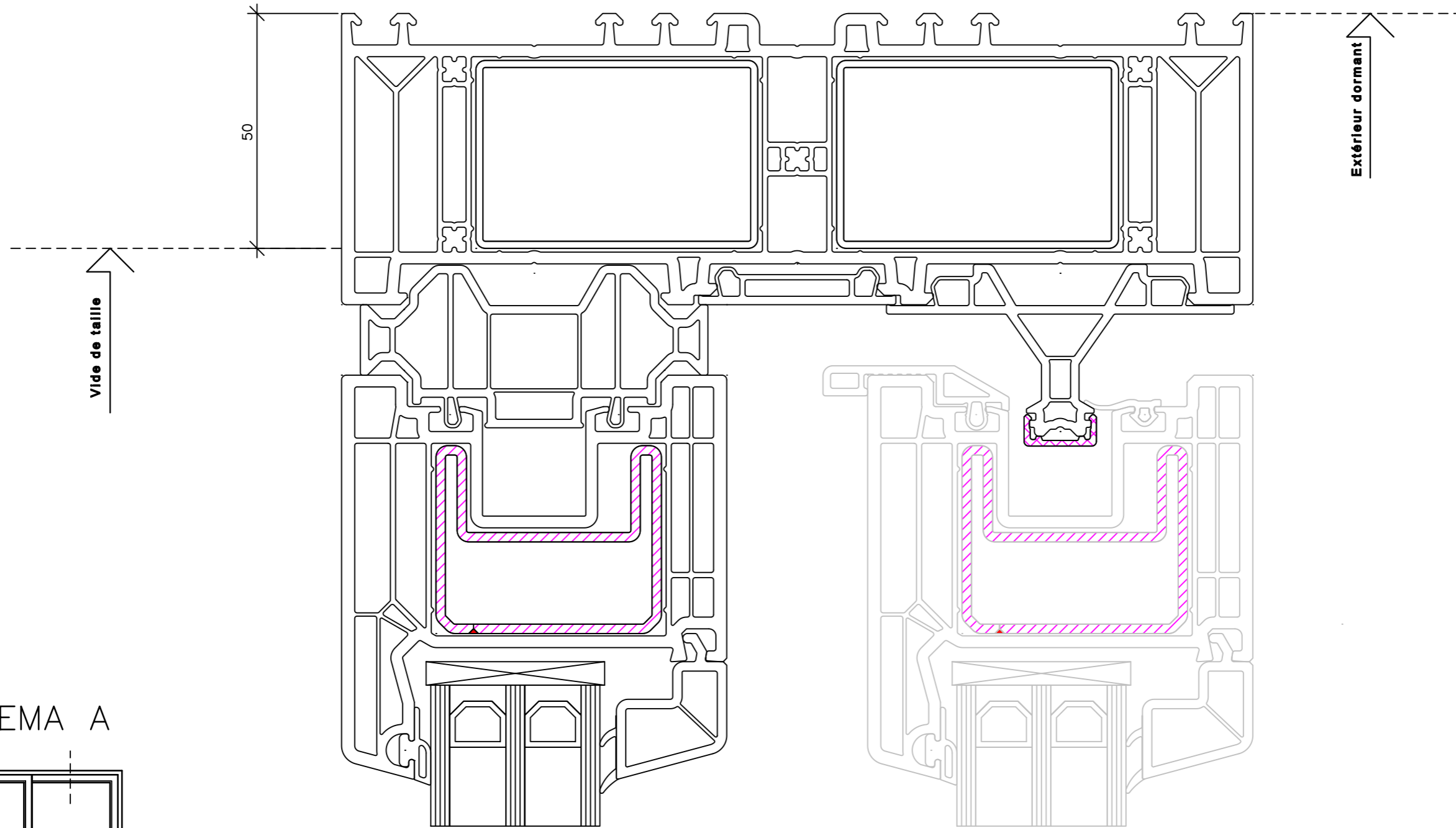
VekaMotion - HS-Portal

Dormant 105.420
Vantail 105.421

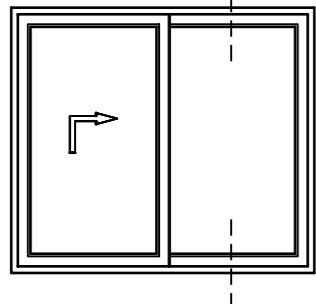
Echelle
1:1

23.08.2022

Motion-8110 HS



SCHEMA A



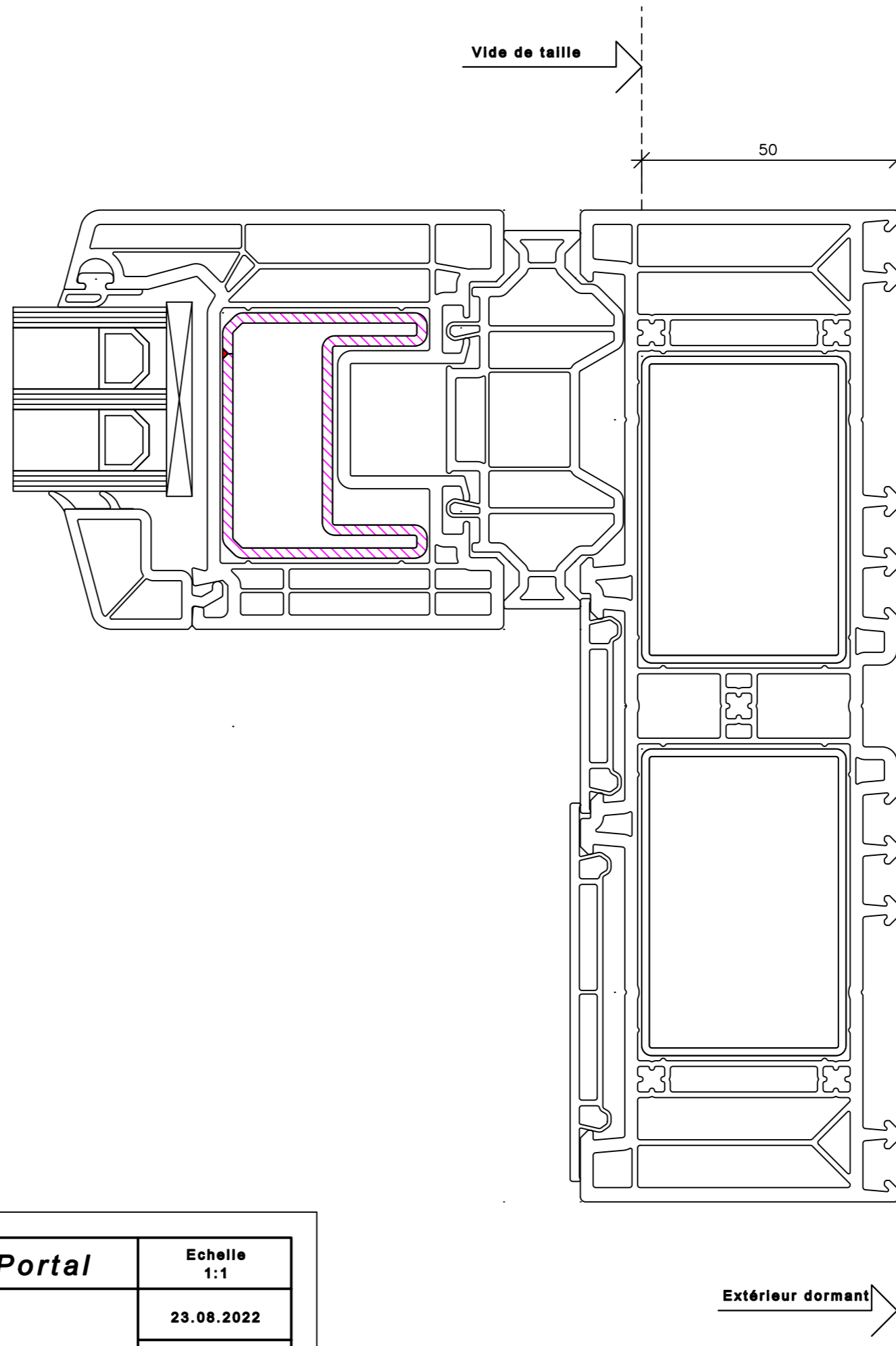
VekaMotion - HS-Portal

Dormant 105.420
Vantail 105.421

Echelle
1:1

23.08.2022

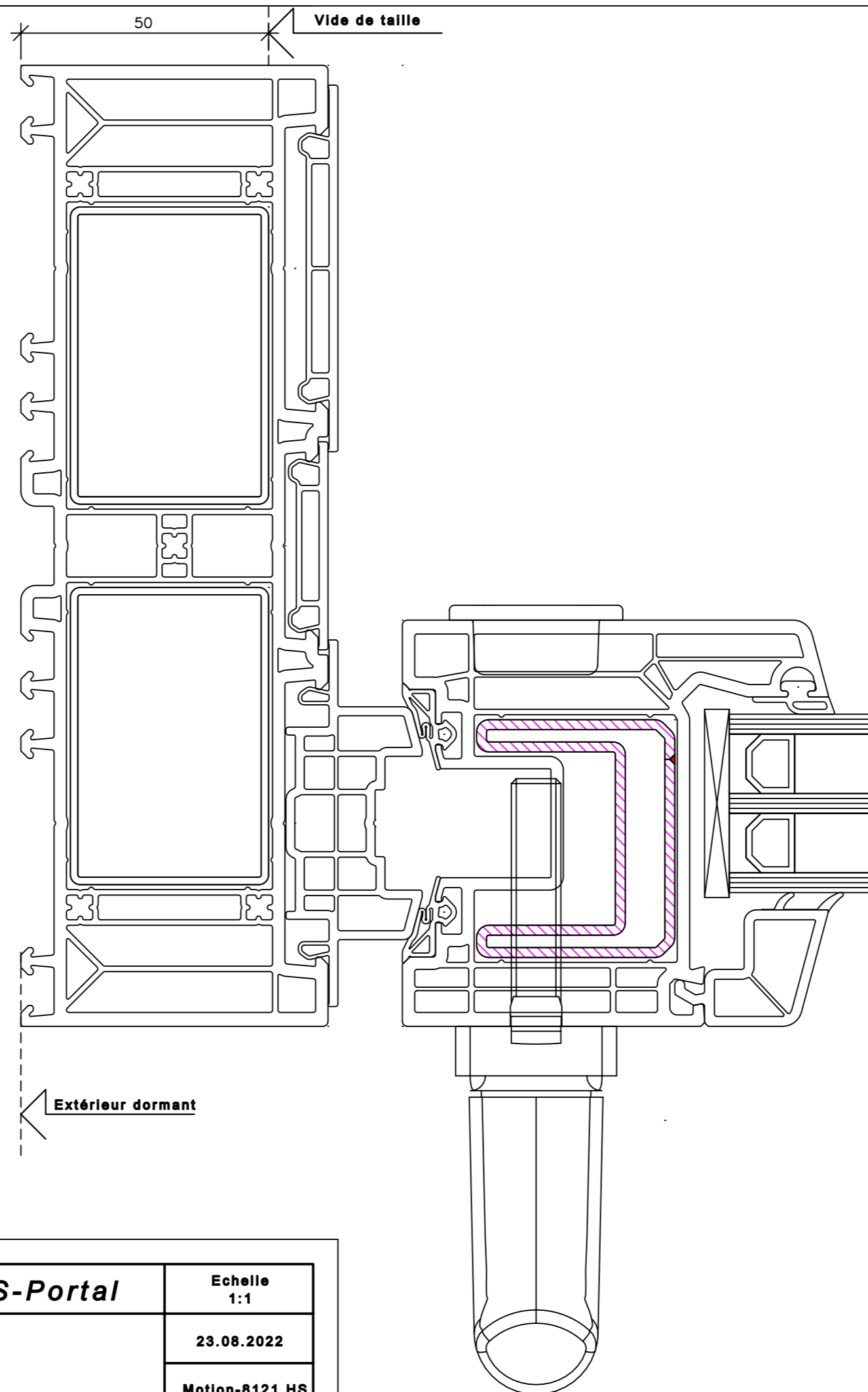
Motion-8111 HS



VekaMotion - HS-Portal

Dormant	105.420
Vantail	105.421

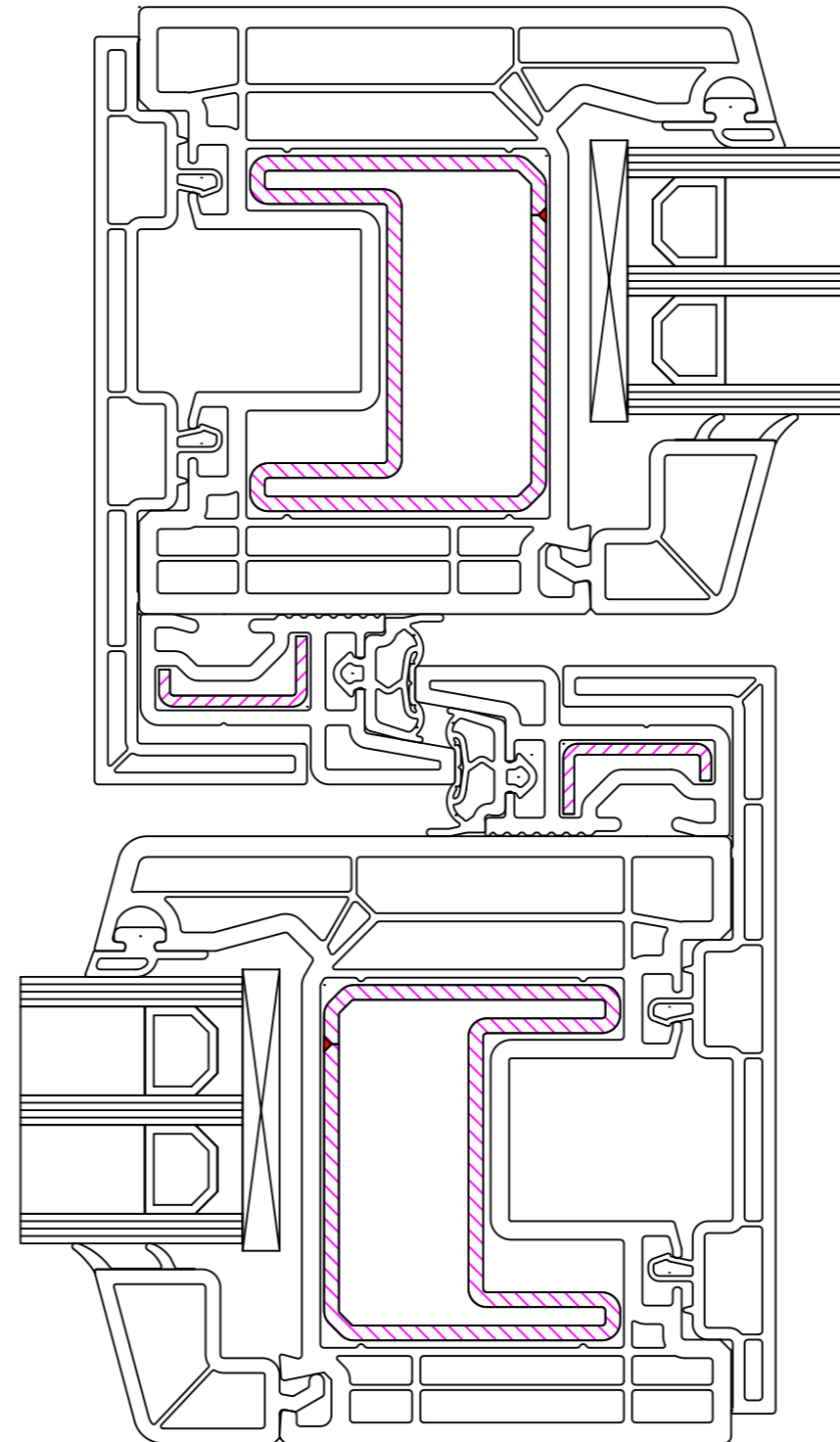
Echelle 1:1
23.08.2022
Motion-8120 HS



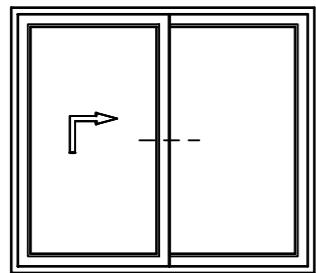
VekaMotion - HS-Portal

Dormant	105.420
Vantail	105.421

Echelle 1:1
23.08.2022
Motion-8121 HS



SCHEMA A



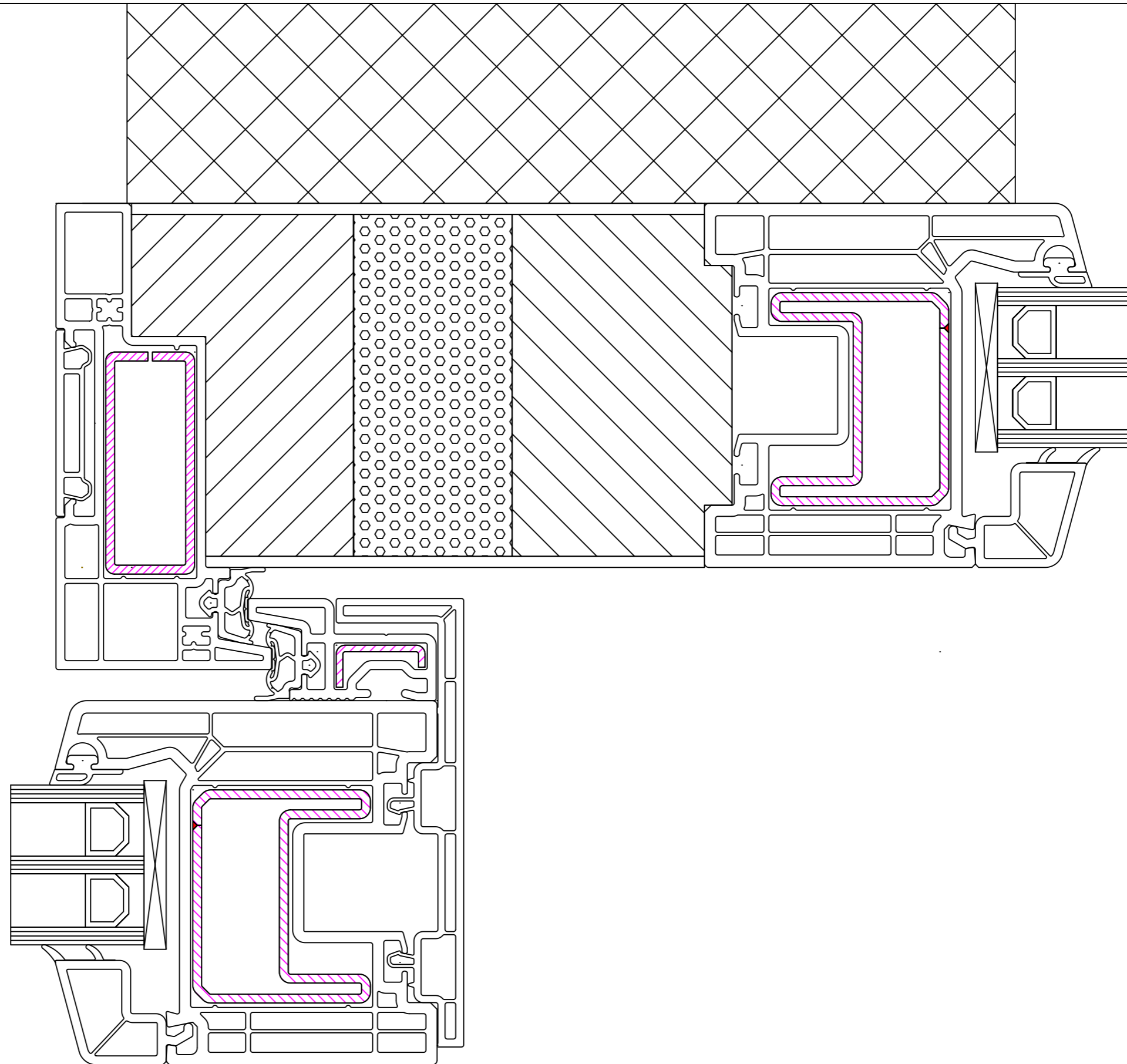
VekaMotion - HS-Portal

Dormant 105.420
Vantail 105.421

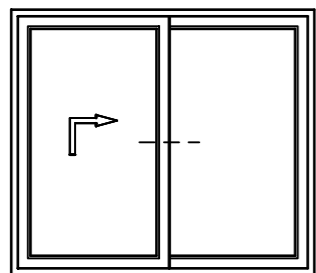
Echelle
1:1

23.08.2022

Motion-8130 HS



SCHEMA A



VekaMotion - HS-Portal

Dormant 105.420
Vantail 105.421

Echelle
1:1

23.08.2022

Motion-8130 HS
Poteau