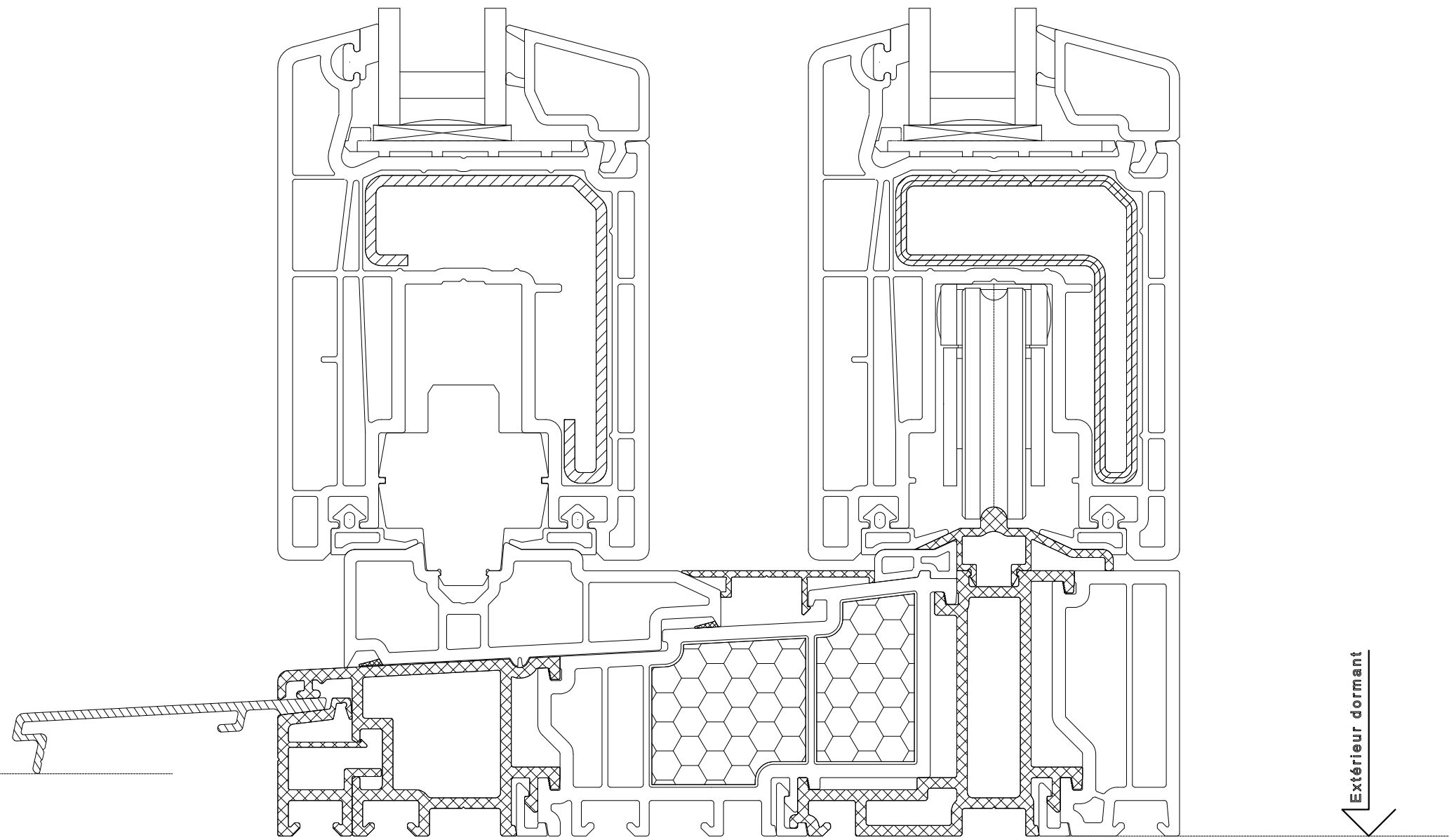
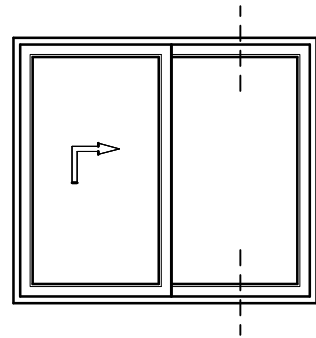




SCHEMA A



VekaSlide - HS-Portal

Seuil Exotherm 104.430

Vantail 105.340

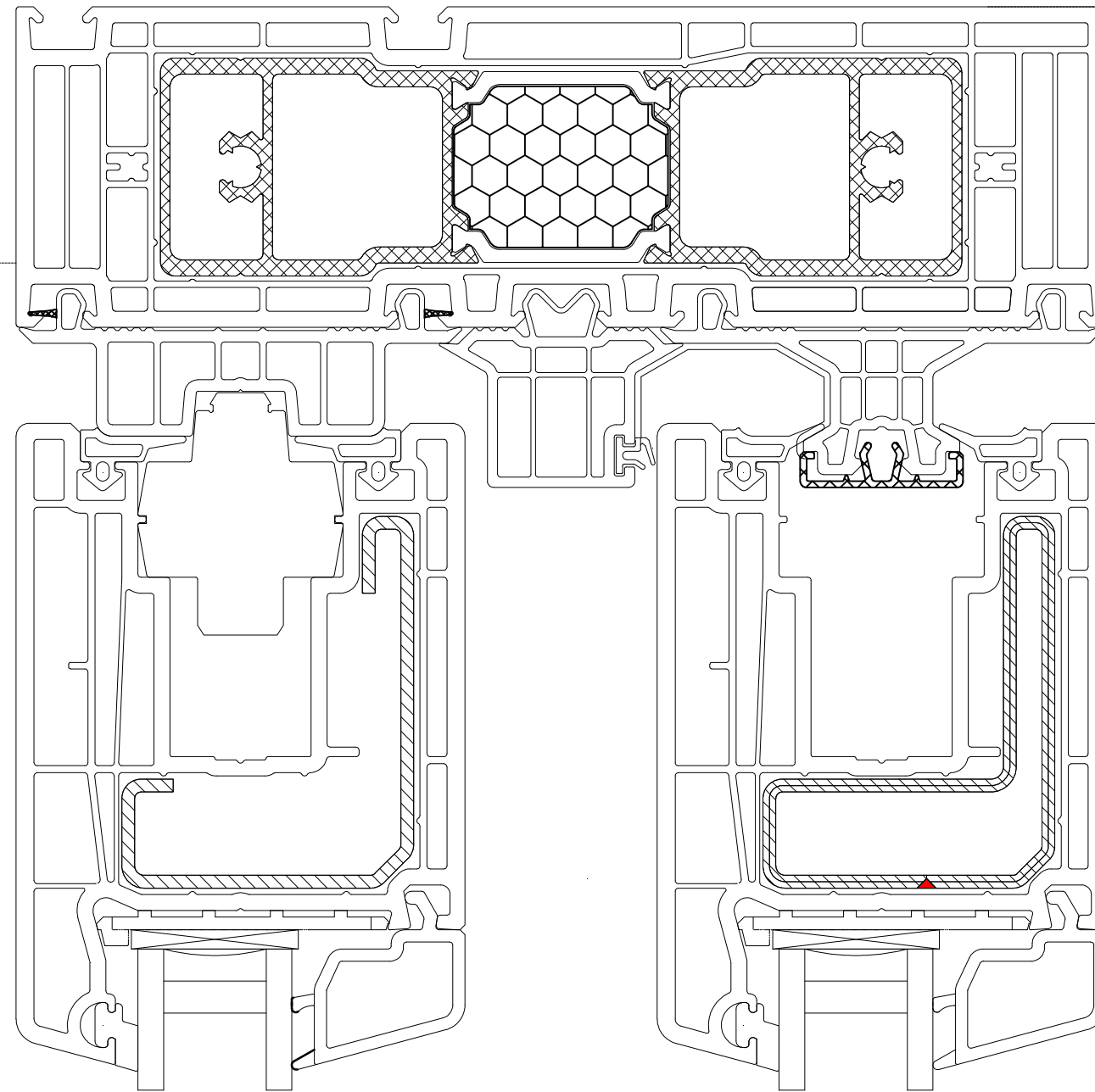
Echelle
1:1

12.05.2010

Slide-7100 HS

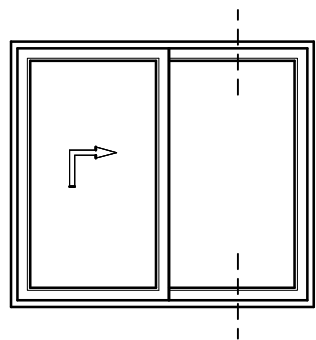


Vide de taille



Exterieur dormant

SCHEMA A



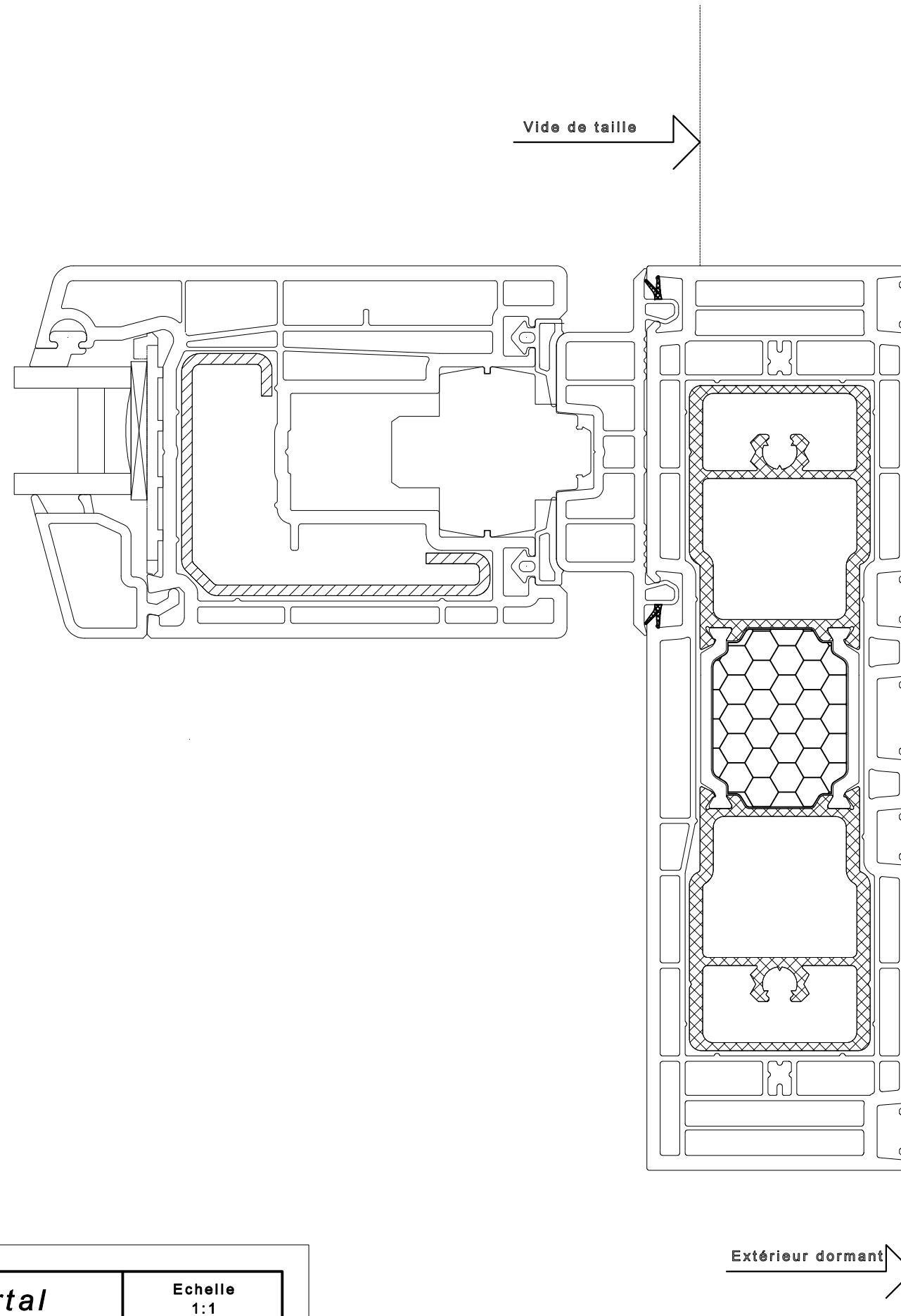
VekaSlide - HS-Portal

Dormant 105.330
Vantail 104.430

Echelle
1:1

12.05.2010

Slide-7110 HS



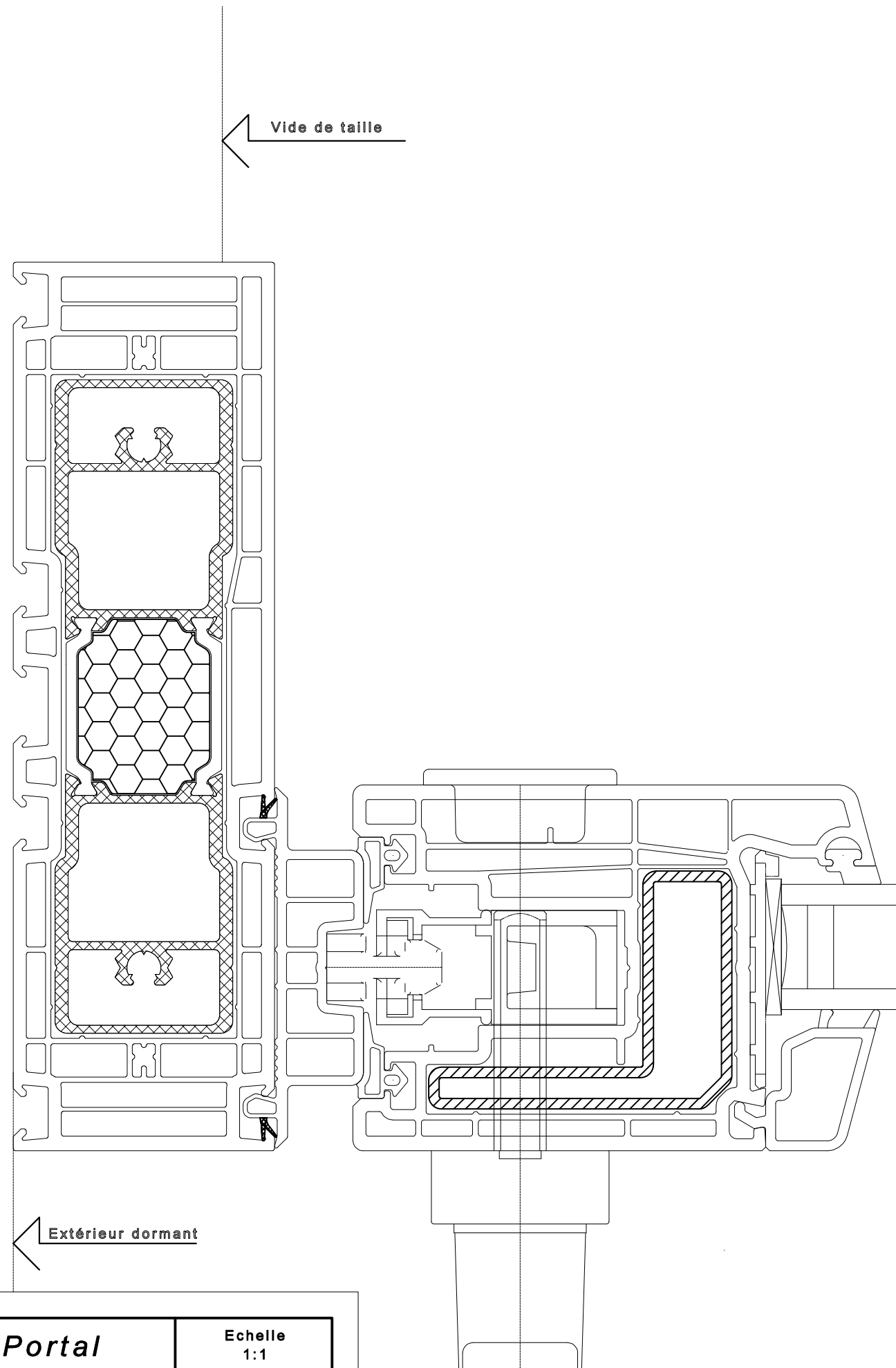
VekaSlide - HS-Portal

Dormant 105.330
Vantail 104.430

Echelle
1:1

12.05.2010

Slide-7120 HS



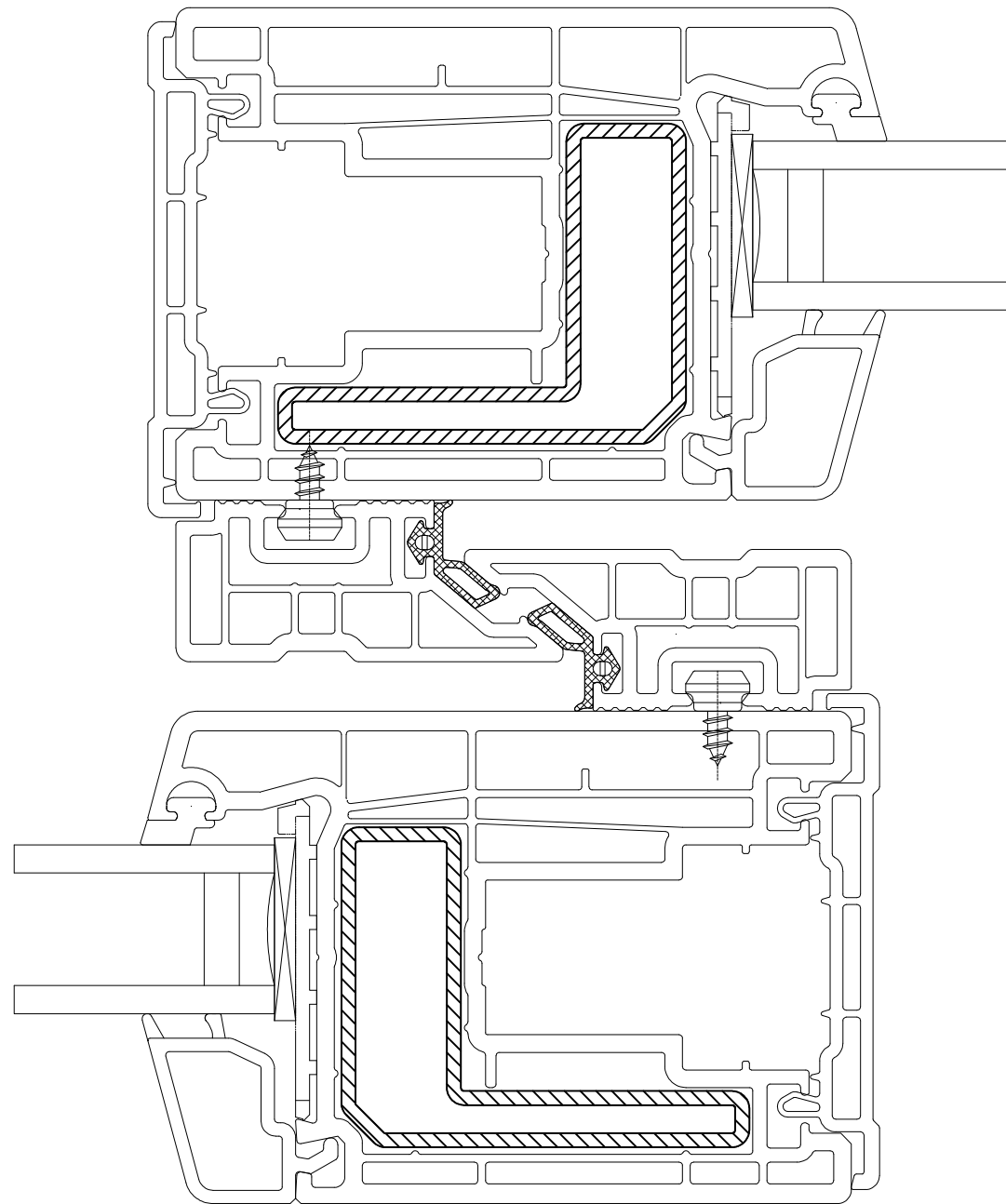
VekaSlide - HS-Portal

Dormant	105.330
Vantail	104.430

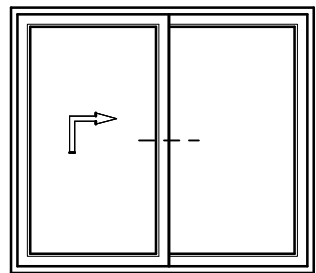
Echelle
1:1

12.05.2010

Slide-7121 HS



SCHEMA A



VekaSlide - HS-Portal

Dormant 105.330
Vantail 104.430

Echelle
1:1

12.05.2010

Slide-7130 HS